

DESCRIPTION/APPLICATION

The Tri-Barrier product is an original Thomas & Betts design and we set new terminal block standards with its introduction. In recent years, some of our competition has copied this design.

It's easy to see why we're copied. Our Tri-Barrier blocks help contain stray or frayed wire ends. This prevents electrical shorts — not only between positions on the same block, but also between other components immediately adjacent to the block. With today's high-density PCB designs, this has become an increasingly important feature.

APPLICATIONS

- Industrial controls and automation
- Machine tools
- HVAC/R
- Power supplies
- Security/Irrigation
- Transformers

DESIGN ADVANTAGES

- Back barriers to safeguard field wiring
- Fast wiring – backed-out wire-ready screws
- Interrupted thread prevents screws from falling out
- Standoffs allow flux and solvents to drain during cleaning
- Molded-to-length or cut-to-length versions available
- Slotted or phil-slot screws available

TRI-BARRIER STRIPS



CONNECTOR INDEX		
0.250"	Pitch, Series #3.....	56-59
0.250"	Pitch, Series RSB2.....	60, 61
0.325"	Pitch, Series #4.....	62-65
0.325"	Pitch, Series RSB3.....	66-69
0.375"	Pitch, Series #6.....	70-73
0.375"	Pitch, Series RSB6.....	74-77
0.375"	Pitch, Series BC6, Panel Mount.....	78-79
0.375"	Pitch, Series MB6, Double Level.....	80, 81
0.4375"	Pitch, Series #8.....	82, 83

0.325" PITCH
SERIES #4
TRI-BARRIER

PHYSICAL PROPERTIES

HOUSING MATERIAL: Polyamide
FLAMMABILITY: UL94V-0
COLOR: Black

TERMINAL

TERMINALS: Bright acid tin over copper alloy
SCREWS: #4-40 steel, zinc plating with clear chromate coating. Wire clamping screw standard. Binding head screw with undercut optional.

MECHANICAL

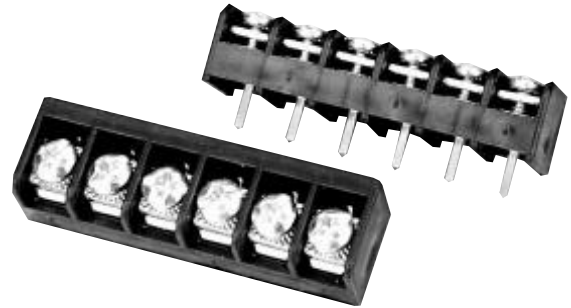
PITCH (TERMINAL SPACING): 0.325"
RECOMMENDED PCB HOLE DIA.: 1.8mm (.073")
RECOMMENDED TIGHTENING TORQUE: 7 in.-lbs. max.

ELECTRICAL PROPERTIES

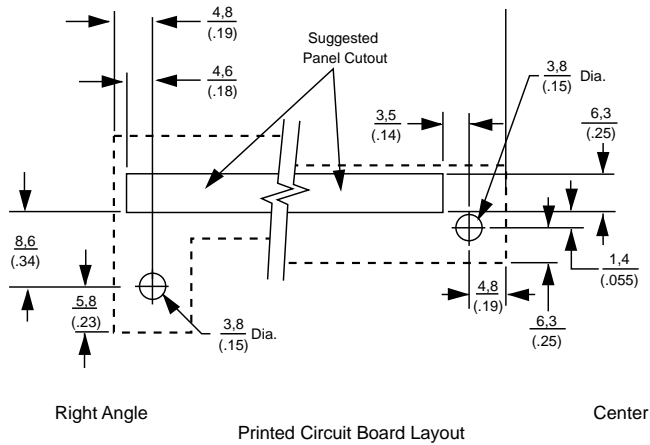
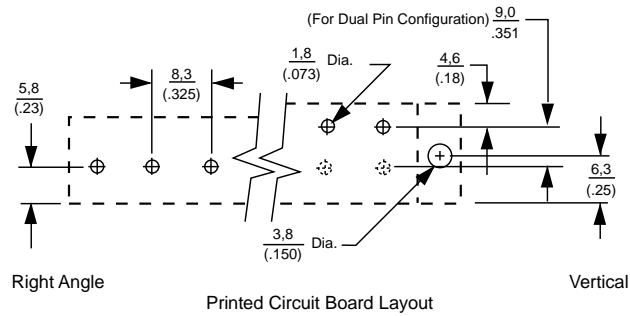
MAXIMUM CURRENT: 20A
OPERATING VOLTAGE: 150V/300V (limited rating)
WIRE RANGE: 14-22 AWG

ENVIRONMENTAL PROPERTIES

OPERATING TEMPERATURE RANGE: 105°C max.



4PCV-06



0.325" PITCH
SERIES #4 TRI-BARRIER

ORDERING INFORMATION

4 **PCV-04-004**

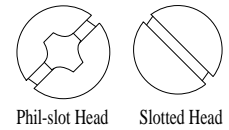
A **B** **C** **D**

A Screw Size Spacing
4 = #4-40 on .325" Centers

C No. of Circuits (Not Positions)
02 through 32

B Terminal Style
DBL = Double Printed Circuit Pin
PCR = Printed Circuit, Right Angle
PCV = Printed Circuit Pin, Vertical
WWV = Solderless Wire Wrap, Vertical

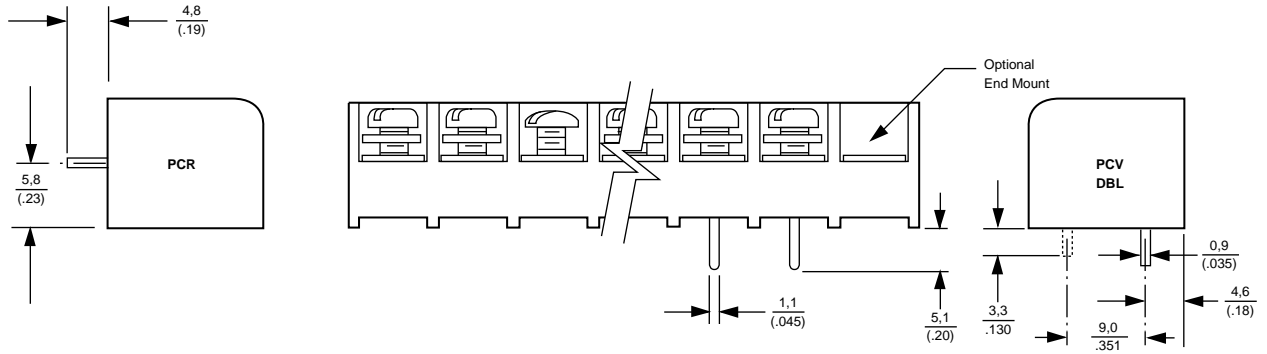
D Modifiers
Use table below.
Note: If modifier is -000
it may be omitted. (4PCV-06)



Terminal Style	Modifier Slotted Head	Modifier Phil-slot Head	Screw Style	Mounting Construction
DBL	000	006	Wire Clamp	No Mounting
	001	007	Binding Head	
PCV	000	006	Wire Clamp	No Mounting
	001	007	Binding Head	
	004	008	Wire Clamp	
	005	009	Binding Head	
PCR	000	006	Wire Clamp	No Mounting
	001	007	Binding Head	
	004	008	Wire Clamp	
	005	009	Binding Head	
WWV	000	006	Wire Clamp	
	001	007	Binding Head	
	004	008	Wire Clamp	No Mounting
	005	009	Binding Head	

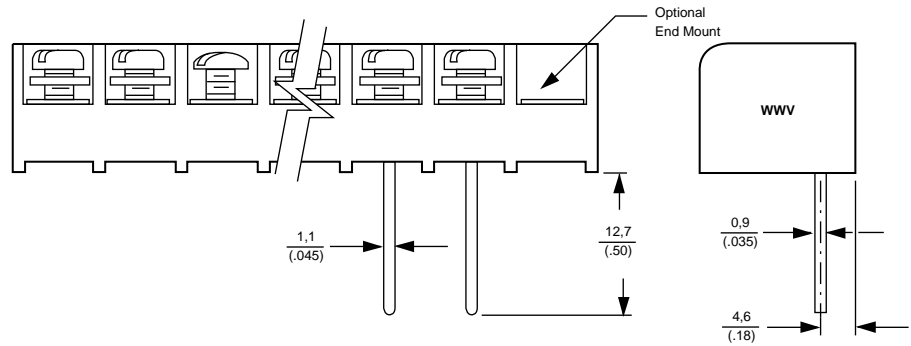
0.325" PITCH
SERIES #4
TRI-BARRIER

Printed Circuit Pin

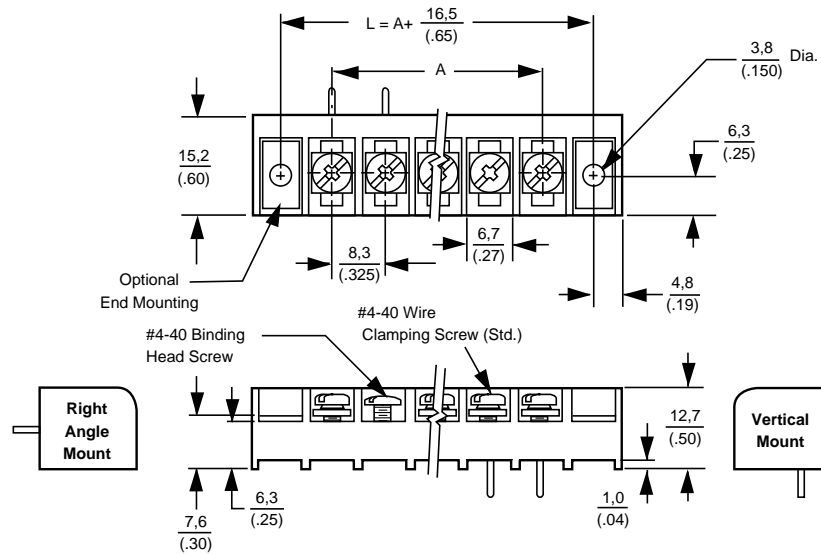


Wire Wrap

#4 WWR Not available



0.325" PITCH
SERIES #4
TRI-BARRIER



Dimensions

TERMINALS	A	TERMINALS	A
2	(0.325) 8,2	17	(5.20) 132,1
3	(0.65) 16,5	18	(5.52) 140,3
4	(0.97) 24,7	19	(5.85) 148,6
5	(1.30) 33,0	20	(6.17) 156,8
6	(1.62) 41,3	21	(6.50) 165,1
7	(1.95) 49,5	22	(6.82) 173,3
8	(2.27) 57,8	23	(7.15) 181,6
9	(2.60) 66,0	24	(7.47) 189,9
10	(2.92) 74,3	25	(7.80) 198,1
11	(3.25) 82,5	26	(8.13) 206,4
12	(3.57) 90,8	27	(8.45) 214,6
13	(3.90) 99,1	28	(8.78) 222,9
14	(4.22) 107,3	29	(9.10) 231,1
15	(4.55) 115,6	30	(9.43) 239,4
16	(4.87) 123,8		